



(This Service Letter is DMCF approved)

This Service Letter reidentified as
Service Bulletin M 20-124
per Service Instruction M20-15.

SUBJECT: Prop Governor Control Clearance with Mag Lead

MODEL AFFECTED: M20C 1852, 1940 - 2922, M20D 1, 101 - 201, M20E 101 - 584

TIME OF COMPLIANCE: At next 100 hour inspection

INTRODUCTION:

It will be necessary for the owners of the above mentioned aircraft to comply with this Service Letter.

INSTRUCTIONS:

1. Remove top and right hand side cowl.
2. Remove screws securing prop. governor control clamps to 660006 support.
3. Add 914024-6 bushing between support and clamps, securing with AN520-10R14 screws as shown in Figure 1.
4. Install the cowling previously removed.

COMPLIANCE:

Upon compliance of this Service Letter, please fill out the enclosed compliance card and return it to Mooney Aircraft, Inc. for our files.

SERVICE LETTER KIT 20-124**Parts List**

914024-6 Bushing	2
AN520-10R14 Screw	2
AN960-10 Washer	8
AN365-1032 Nut	2

This kit may be obtained from your local Mooney distributor. Direct factory orders will not be accepted.

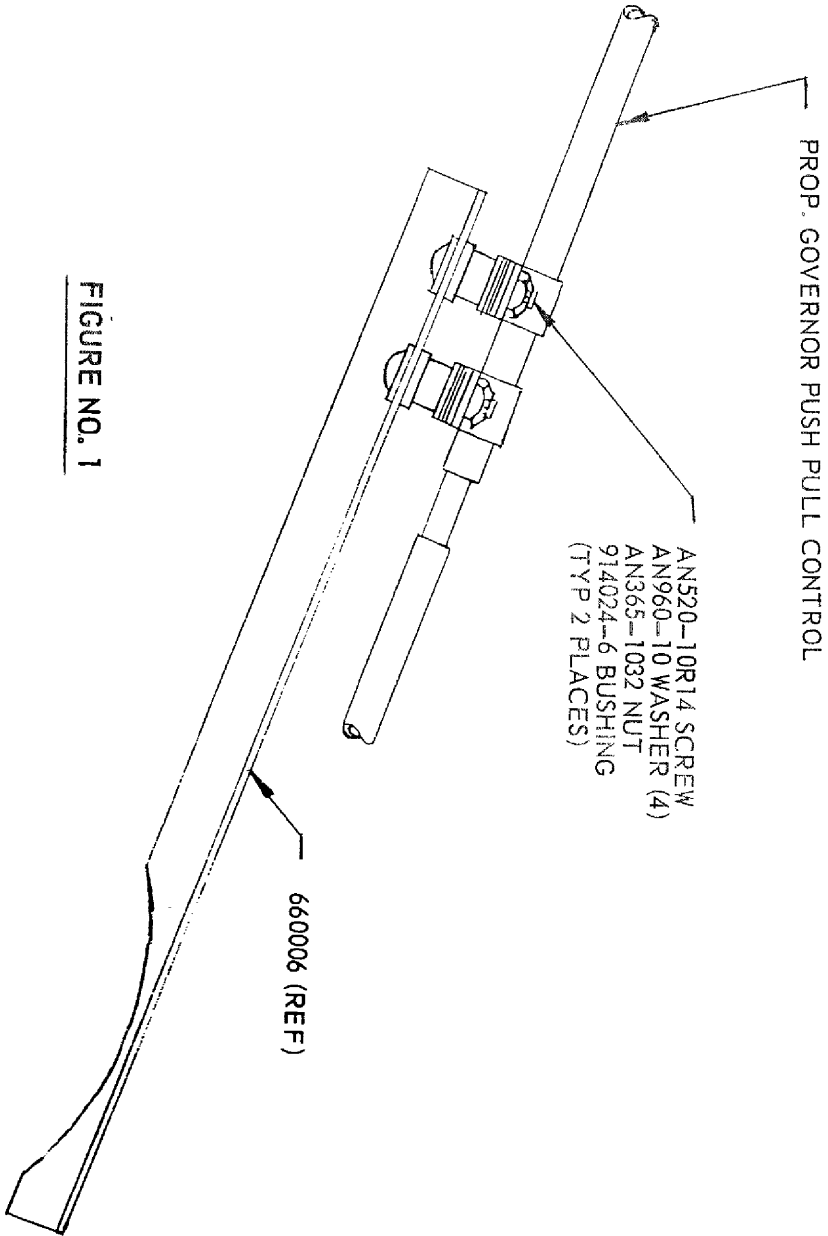


FIGURE NO. 1